

LED Work Lights - Model 840 XD

PRODUCT INFORMATION

Description	12-24V LED Work Light with Spot Beam Pattern
Height	154.18 mm / 6.07 in
Width	113.28 mm / 4.46 in
Depth	54.10 mm / 2.13 in
Shape	Square
Outer Lens Material	Polycarbonate
Outer Lens Color	Clear
Housing Material	Polycarbonate
Housing Color	Black
Mounting Hardware Description	(x1) 5/16"-18 x 1.00" Mounting Bolt
Mounting Type	Universal Pedestal Mount
Minimum Operating Temperature	-40 °C / -40 °F
Maximum Operating Temperature	65 °C / 149 °F
Connector or Wiring	Integrated 2-Pin Deutsch Weather-Proof Socket (DT04-2P)
Mating Connector	2-Pin Deutsch Weather-Proof Plug (DT06-2S)
Product Weight	0.86 lbs / 0.39 kgs
Shipping Weight	1.46 lbs / 0.66 kgs



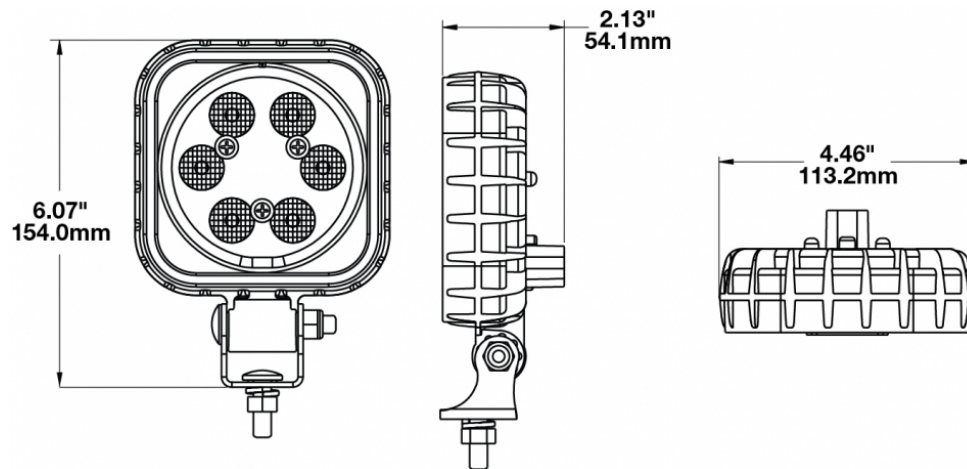
Print date: 2024-08-11

© 2024 J.W. Speaker Corporation • Germantown, WI U.S.A.
www.jwspeaker.com • speaker@jwspeaker.com • 262.251.6660

J.W. SPEAKER 
Engineered. Lighting. Solutions.

LED Work Lights - Model 840 XD

PRODUCT DIMENSIONS



ELECTRICAL SPECIFICATIONS

Input Voltage	12-24V DC
Operating Voltage	10-30V DC
Transient Spike Protection	330V Peak @ 1 HZ-100 Pulses
Red Wire	Positive
Black Wire	Negative
Current Draw	1.25A @ 12V DC 0.61A @ 24V DC

Print date: 2024-08-11

© 2024 J.W. Speaker Corporation • Germantown, WI U.S.A.
www.jwspeaker.com • speaker@jwspeaker.com • 262.251.6660

LED Work Lights - Model 840 XD

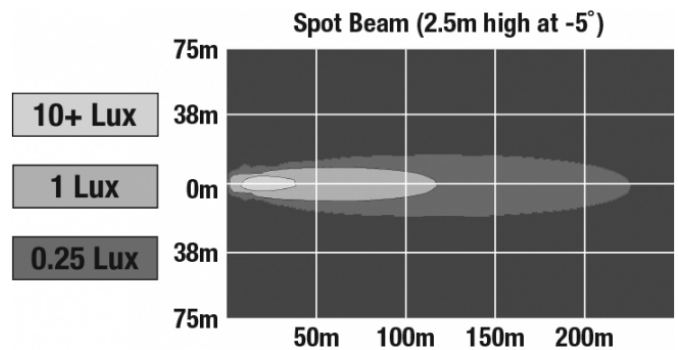
REGULATORY STANDARDS COMPLIANCE



Buy America Standards	CISPR 12
CISPR 22	Eco Friendly
IEC IP69K	SAE J1113-13
Tested to ECE Reg. 10 (Radiated Emissions only)	UL Recognized

PHOTOMETRIC SPECIFICATIONS

Raw Lumen Output	1,080
Effective Lumen Output	780
Nominal LED Color Temperature	5000 K
Beam Pattern(s)	Forward Lighting - Spot



APPLICATIONS



Print date: 2024-08-11

© 2024 J.W. Speaker Corporation • Germantown, WI U.S.A.
 www.jwspeaker.com • speaker@jwspeaker.com • 262.251.6660

LED Work Lights - Model 840 XD

PRODUCT WARNINGS

For California residents:

⚠ **WARNING:** Cancer and reproductive harm - www.P65Warnings.ca.gov.

⚠ **AVERTISSEMENT:** Cancer et effet nocif sur la reproduction - www.P65Warnings.ca.gov.

ACCESSORIES



Part Number
8200011
Magnet Mount Kit for
XD Series Work Lights



Part Number
8200101
Stainless Steel
Mounting Kit for Work
Lights & Marine Lights



Part Number
8200491
Mounting Kit For Work
Lights

LED Work Lights - Model 840 XD

RELATED PRODUCTS



Part Number
1300001

12-24V LED Work Light with Flood Beam Pattern



Part Number
1300011

12-24V LED Work Light with Trapezoid Beam Pattern



Part Number
1300031

12-110V LED Work Light with Trapezoid Beam Pattern & Integrated 2-Pin Deutsch Connector



Part Number
1300041

12-110V LED Work Light with Trapezoid Beam Pattern & Integrated AMP Connector



Part Number
1300091

12-110V LED Work Light with Flood Beam Pattern



Part Number
1300101

12-110V LED Work Light with Spot Beam Pattern



Part Number
1300301

12-48V LED Work Light with Left Hand Vertical Flood Beam Pattern



Part Number
1300311

12-48V LED Work Light with Right Hand Vertical Flood Beam Pattern